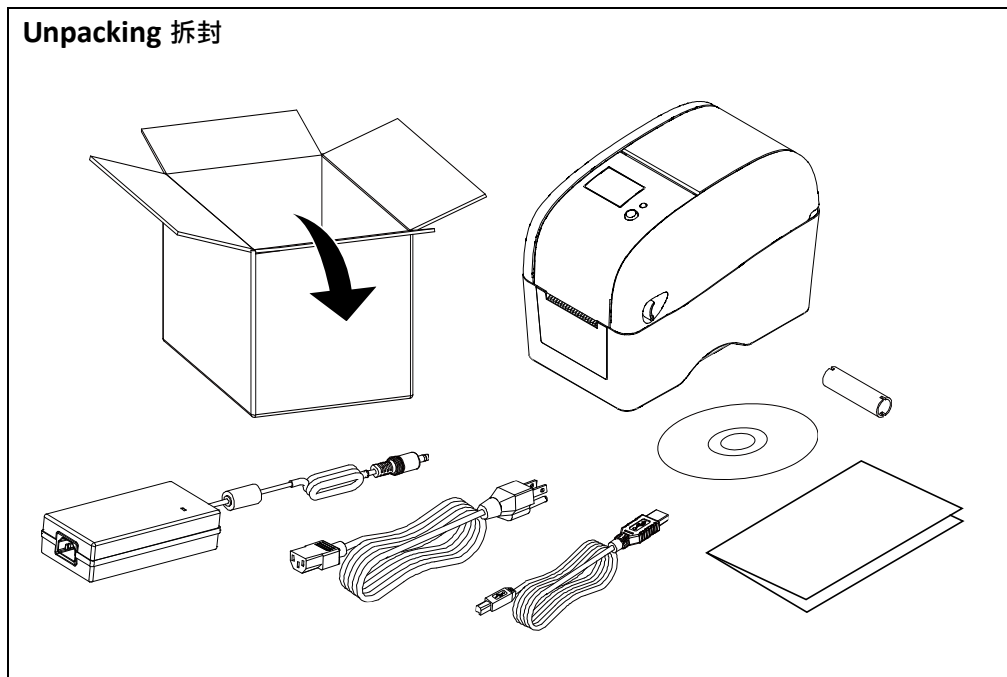
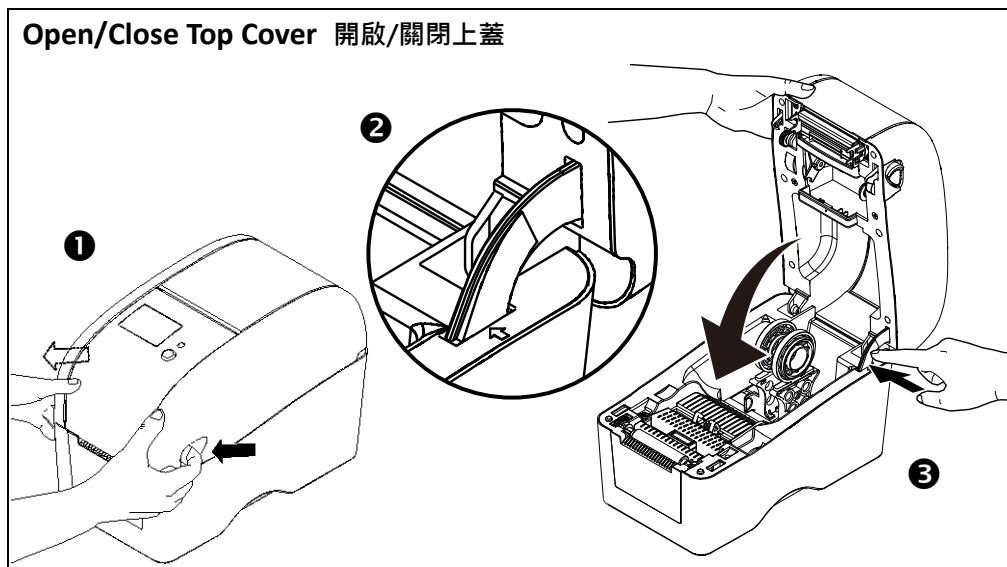


# User's Setup Guide 使用者安裝說明

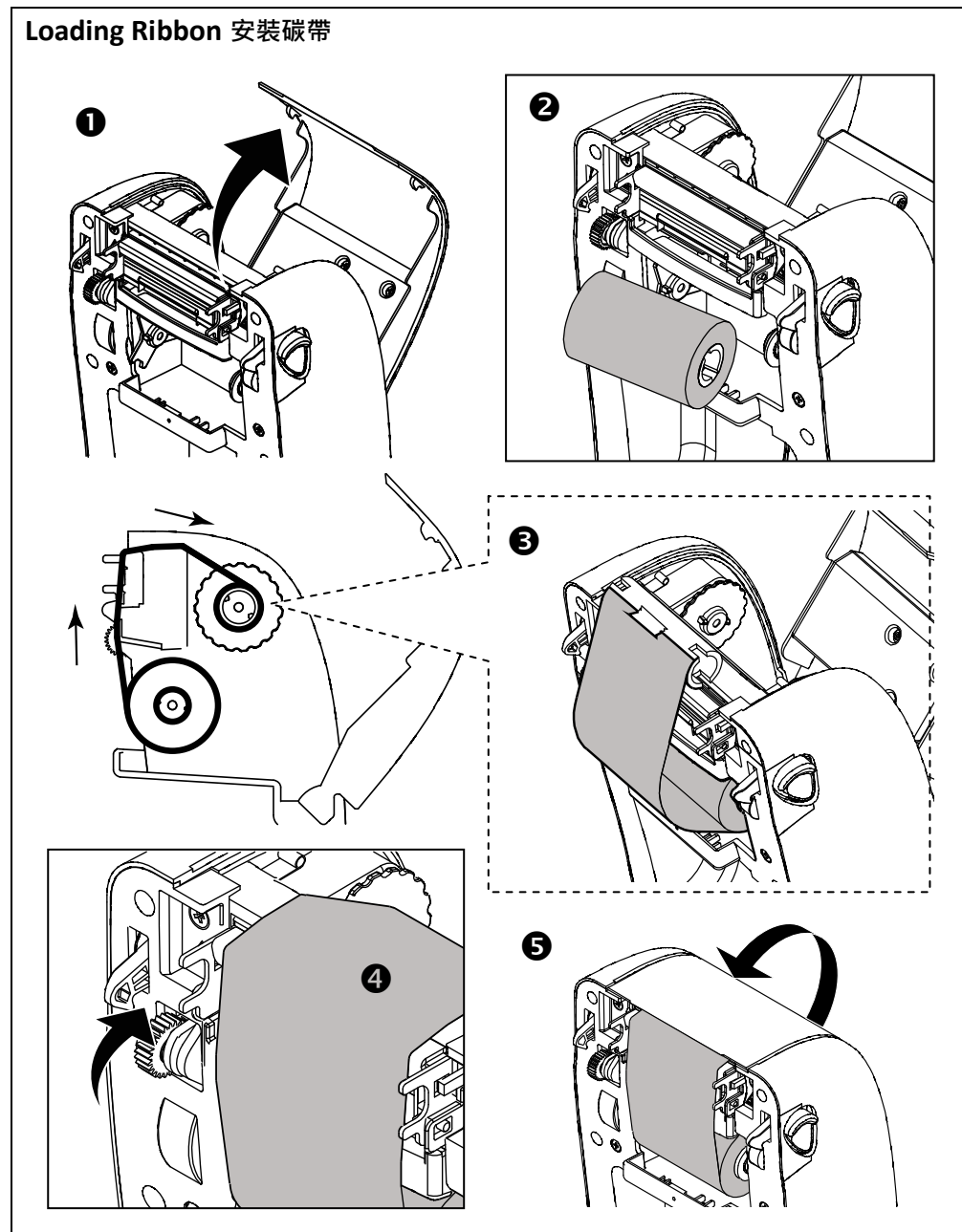
## Unpacking 拆封



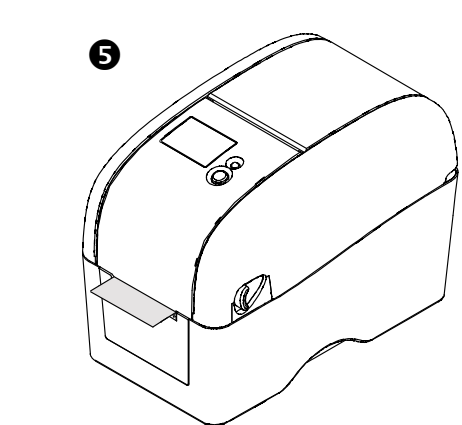
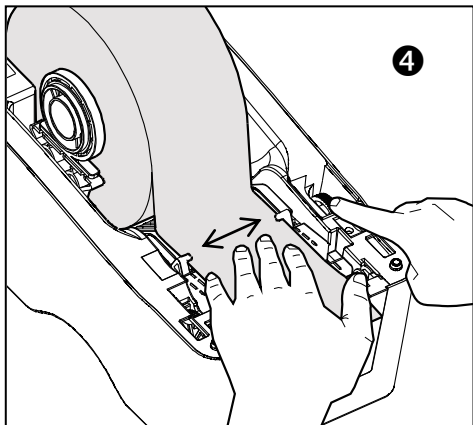
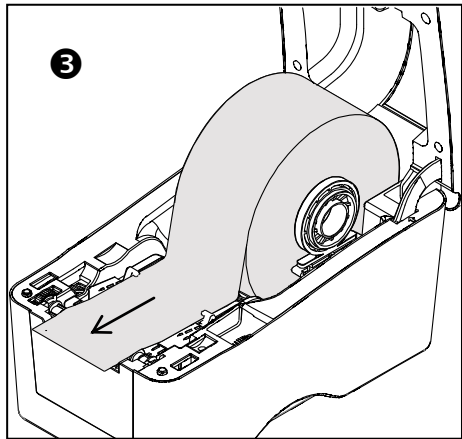
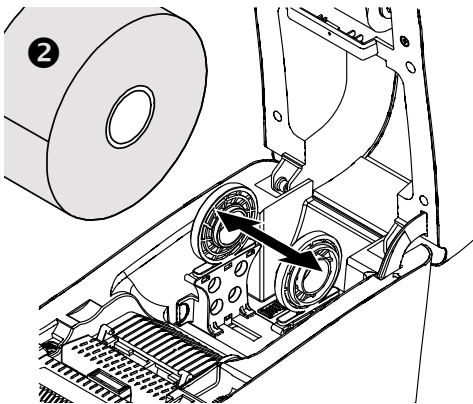
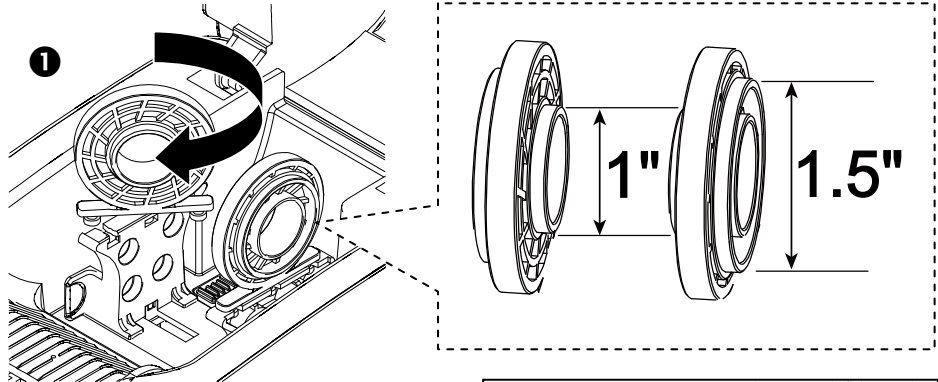
## Open/Close Top Cover 開啟/關閉上蓋



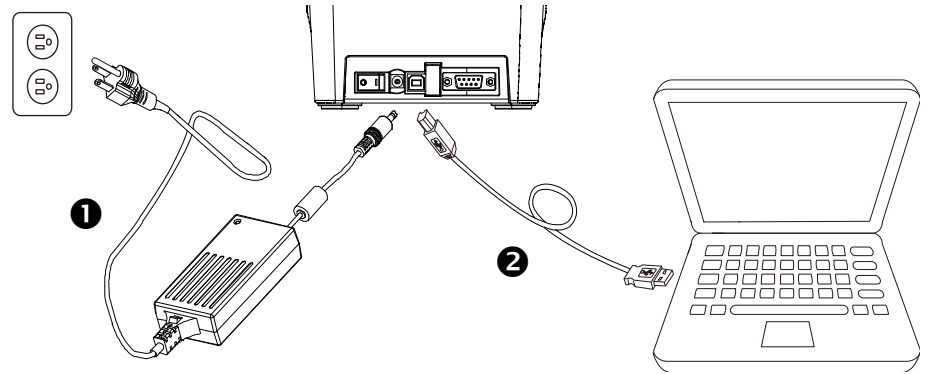
## Loading Ribbon 安裝碳帶



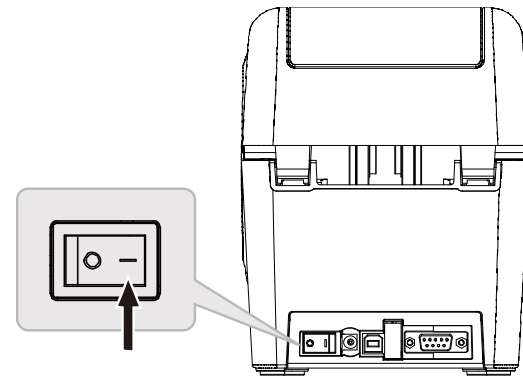
**Loading Media 安裝標籤**



**Attaching Power & Connecting Interface Cable 連接電源和傳輸線**



**Turn on the Power 開啟電源**



**Installing Driver & Calibrating Sensor 安裝驅動程式和感應器校正**

